

SPECIFICATIONS

LENGTH 159 CM

WIDTH 95 CM

HEIGHT 72 CM

TABLE TOP THICKNESS : 33 MM

MATERIALS : SOLID WALNUT, SOLID MAPLE, MDF

FINISH : LACQUER

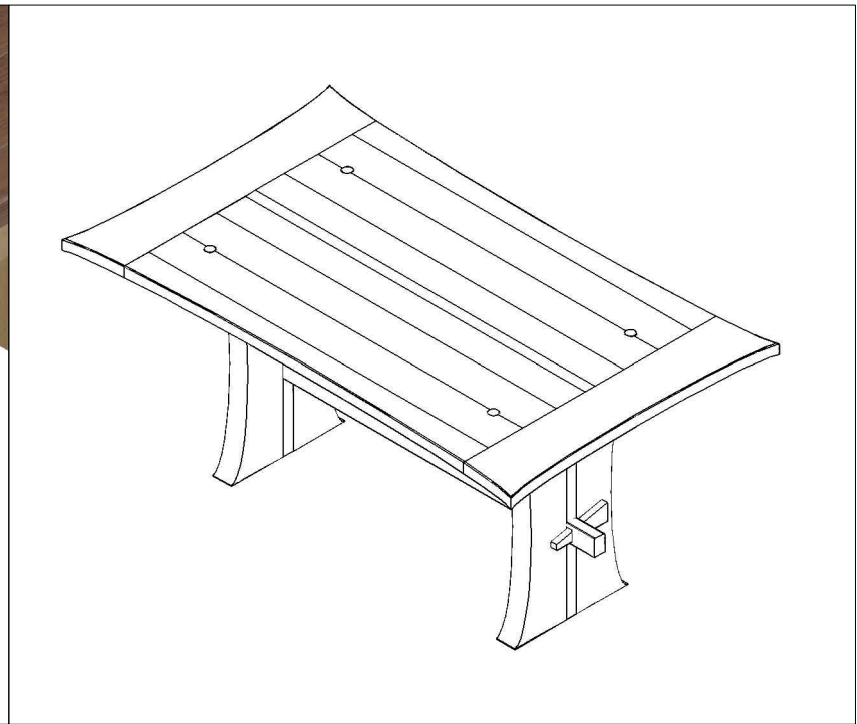
MANUFACTURING : HANDCRAFTED

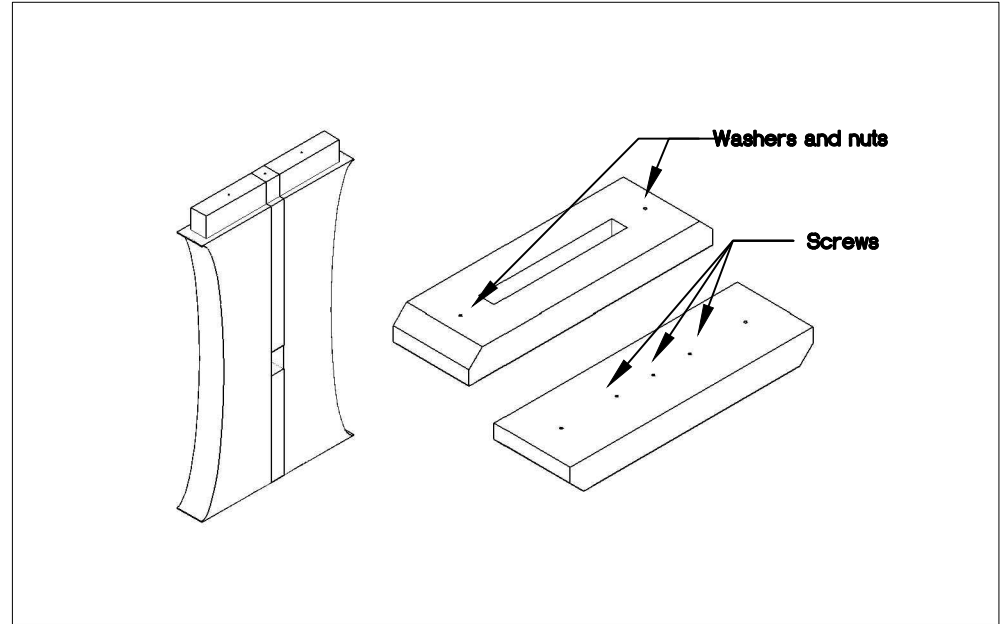
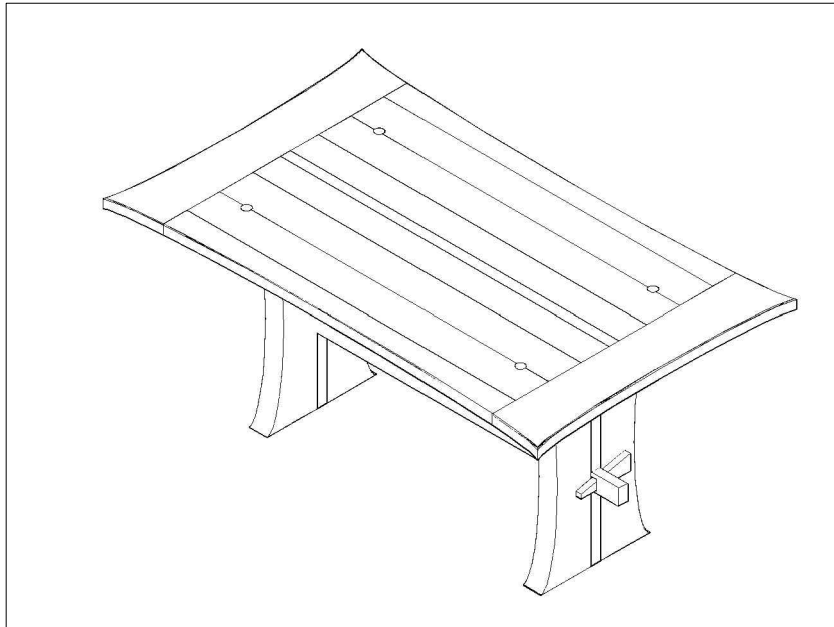
SHAPE : RECTANGULAR WITH ELLIPTICAL CURVES

STYLE : MODERN

ASSEMBLY REQUIRED : YES (SEE BELOW)

SEATING CAPACITY : UP TO 8





ASSEMBLY INSTRUCTIONS

- 1) Place the table top upside down with the bolts facing upwards. Remove the nuts and the washers.
- 2) Insert the legs in the MDF supports and join with the 6 screws. You may put some glue in the mortices if you have it.
- 3) Insert the MDF supports with the upside down legs in the bolts through the holes. Then insert the washers and tighten the nuts with the spanner provided.
- 4) Slide the stretcher through the cavities in the legs and tap in the wedges. Bob's your uncle.