



SPECIFICATIONS

LENGTH 84 CM

WIDTH 84 CM

HEIGHT 72 CM

TABLE TOP THICKNESS : 33 MM

MATERIALS : SOLID WALNUT AND VENEER, SOLID MAPLE, MDF

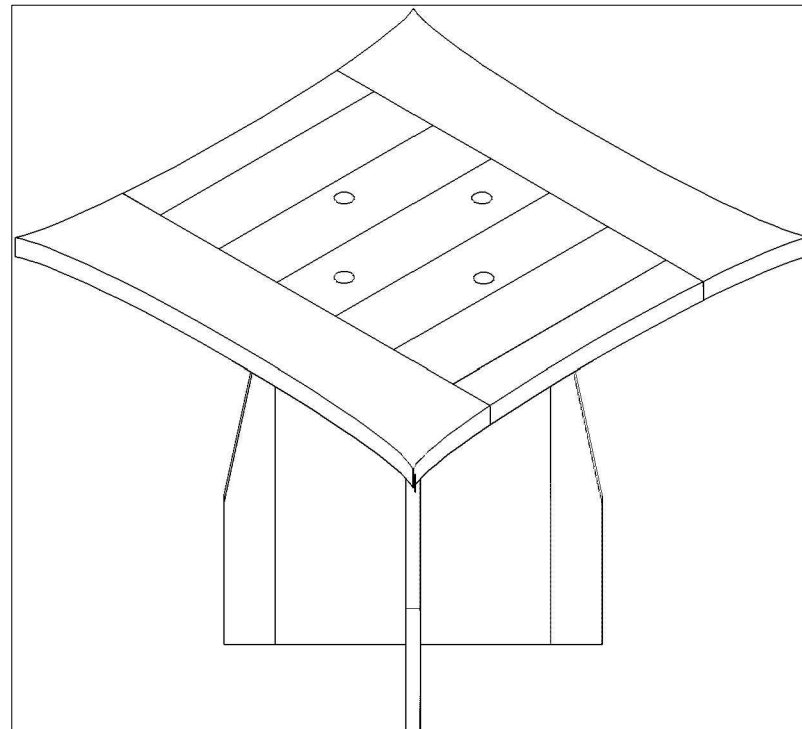
FINISH : LACQUER

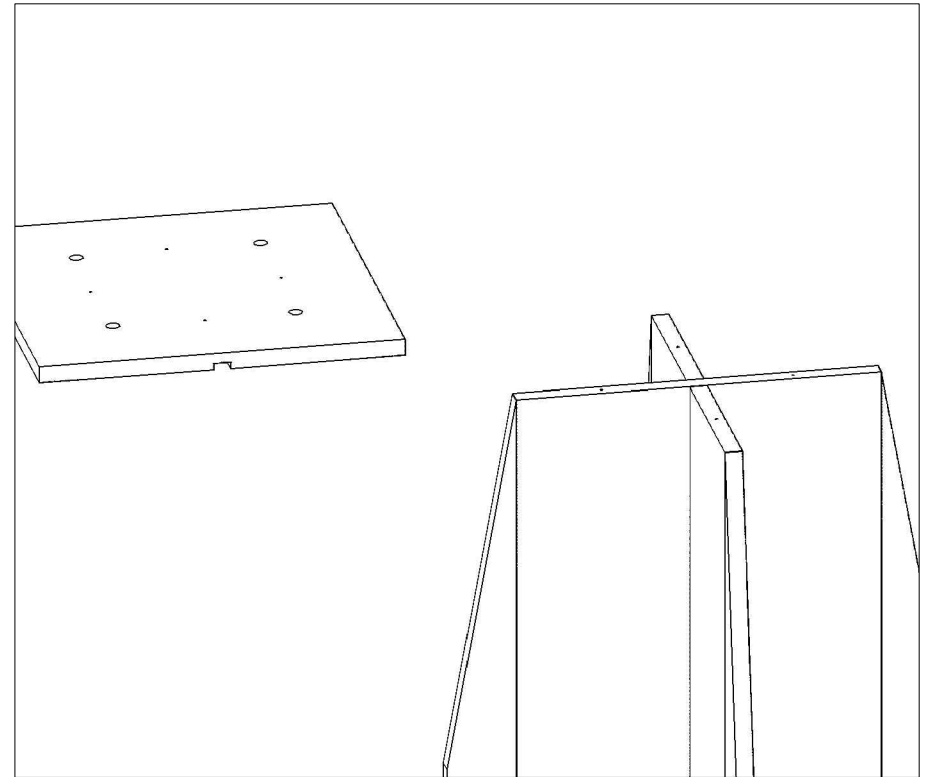
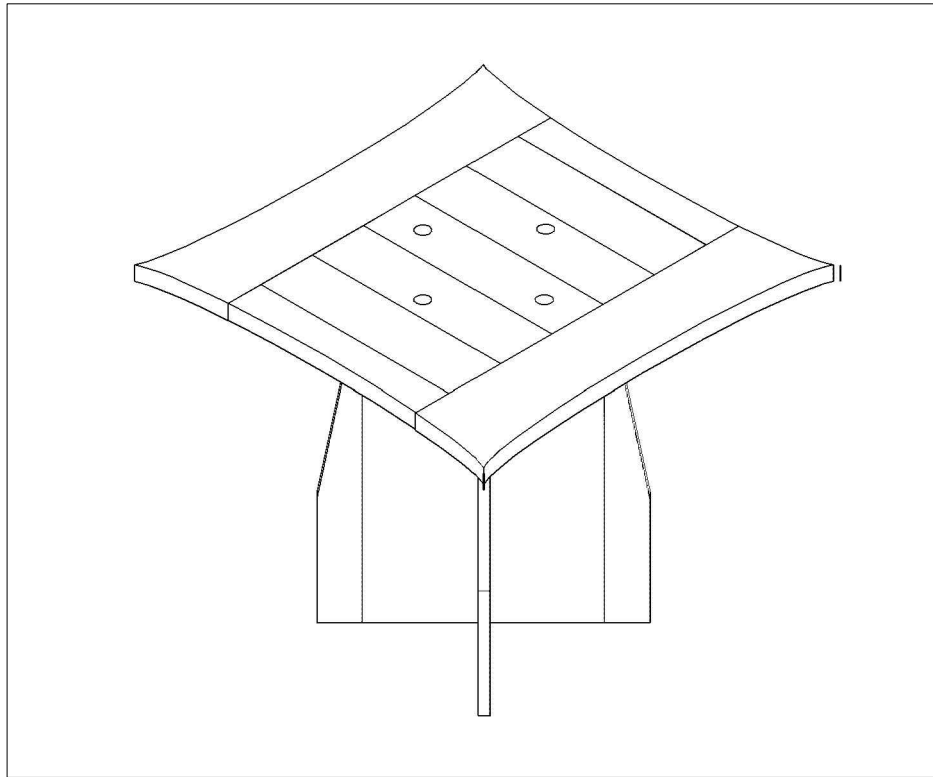
MANUFACTURING : HANDCRAFTED

SHAPE : RECTANGULAR WITH ELLIPTICAL CURVES, INDESTRUCTIBLE

STYLE : MODERN

ASSEMBLY REQUIRED : YES, MINIMAL





ASSEMBLY INSTRUCTIONS

- 1) Place the table top upside down with the bolts facing upwards. Remove the nuts and the washers.
- 2) Insert the legs in the MDF base and join with the 4 screws. The holes are countersunk. You may put some glue in the MDF grooves if you have it.
- 3) Insert the MDF support with the upside down legs and base in the bolts through the holes. Then insert the washers and tighten the nuts with the spanner provided.
- 4) Bob's your uncle.